



Precision Micro-Adjuster

INSTRUCTIONS

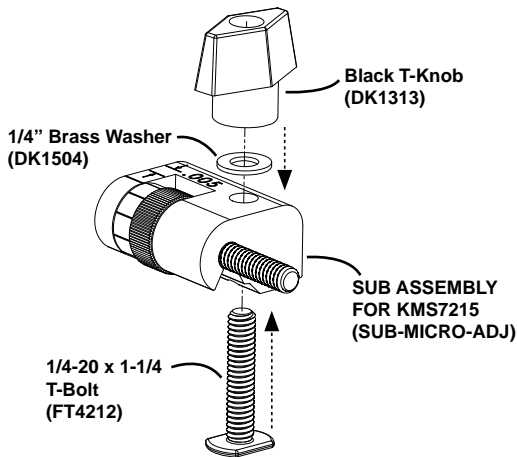
Item# KMS7215

Thank you for purchasing our Precision Micro-Adjuster for use with the Kreg Precision Router Table Fence and Band Saw Fence. The Micro-Adjuster's unique design allows you to make fast and precise fence adjustments in increments of 5/1000 of an inch, with the simple turn of the Thumb Wheel.

WARNING: This product contains one or more chemicals known to the State of California to cause cancer and birth defects or other reproductive harm.
Wash hands after handling.

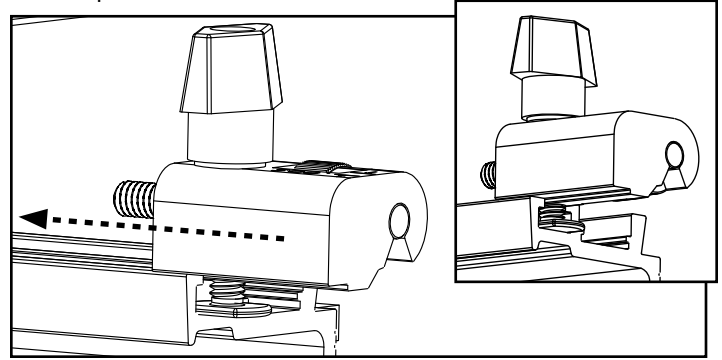
Attaching the Micro-Adjuster

1. Insert the 1/4" x 1-1/4" T-bolt (FT4212) through the hole in the bottom of the Micro-Adjuster assembly (SUB-MICRO-ADJ) so it protrudes through the top of the assembly. Place the 1/4" Brass Washer (DK1504) over the threads of the T-bolt and attach the black T-knob (DK1313) but do not tighten.



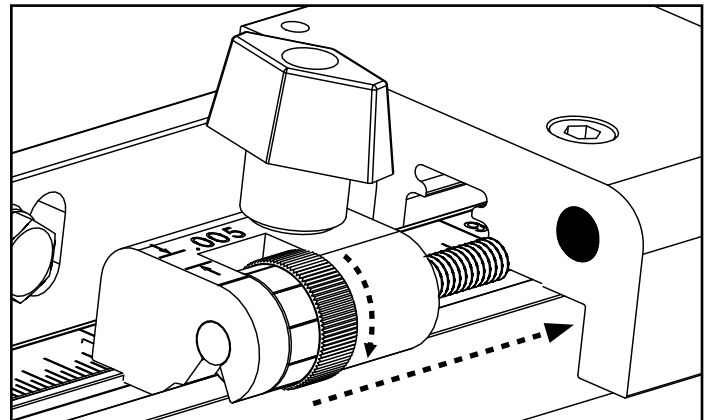
Attaching the Micro-Adjuster

2. Insert the head of the 1/4" x 1-1/4" T-bolt into the T-slot of the Fence Mounting Rail and slide the Micro-Adjuster towards the Clamp Block.



3. Align the threaded screw of the Micro-Adjuster with the accessory hole in the Clamp Block. Thread the Micro-Adjuster screw into the Clamp Block by rotating the Micro-Adjuster Thumb Wheel until the screw is roughly 3/4 of the way threaded into the Clamp Block.

Now you are ready to use the Precision Micro-Adjuster.

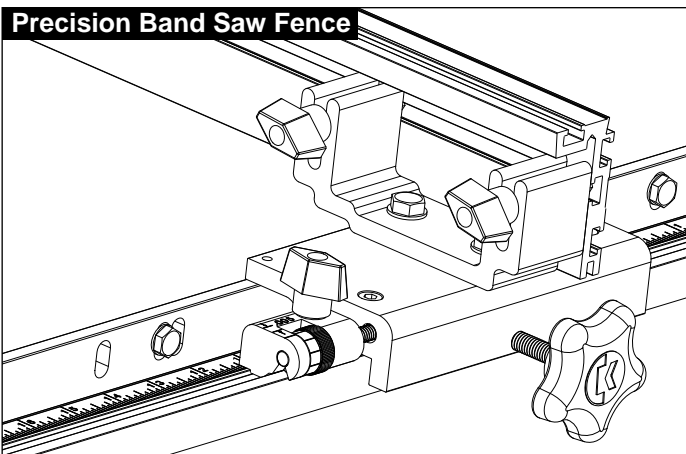


How to Use the Micro-Adjuster

Using the Micro-Adjuster is simple. Once you have positioned your fence close to the desired position, lock down the Micro-Adjuster by tightening the black T-Knob. Rotate the Thumb Wheel on the Micro-Adjuster to make fine adjustments to the fence's position. The Micro-Adjuster's Thumb Wheel was engineered so each mark on the Thumb Wheel represents 5/1000 of an inch of movement for the fence, allowing you to set the exact fence location you want.

When using the Micro-Adjuster to adjust the position of your fence, make sure the fence is **NOT** locked in place. After you have positioned your fence exactly where you want, be sure to tighten down the Clamp Block before placing any material against the fence.

Precision Band Saw Fence



Precision Router Table Fence

